

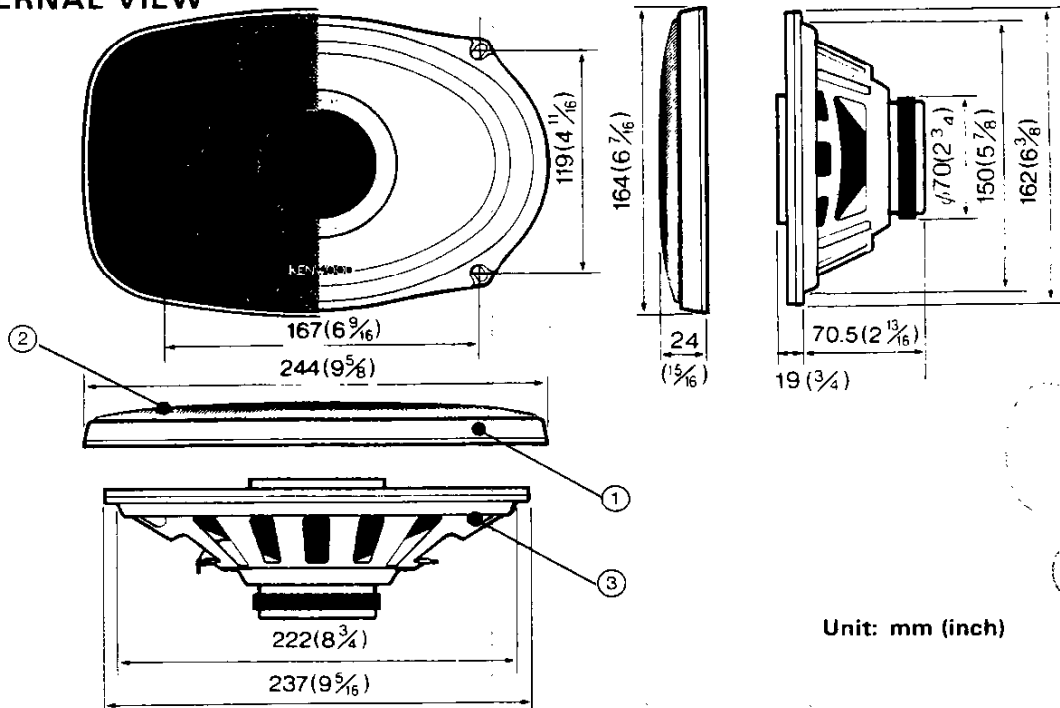
# KFC-6961

## SERVICE MANUAL

# KENWOOD

© 1988-1 PRINTED IN JAPAN  
B51-3408-10 (G) 1107

### EXTERNAL VIEW



Unit: mm (inch)

### PARTS INCLUDED

- (M4-70mm) × 8
- × 8
- M4 × 8
- $\phi 4$  × 8
- M4 × 8
- × 2
- ( $\phi 4-40$ ) × 8
- 5m (16.4ft) × 2

### SPECIFICATIONS

- Speakers
- Woofer..... 6 × 9in cone type, 5.6oz magnet
  - Tweeter..... 2-1/2 in cone piezo type
  - Peak input power..... 50 Watts
  - Sensitivity..... 90dB/W at 1m
  - Impedance..... 4 ohms
  - Weight per speaker with grille... 1.04kg (2.3lb)/pc

We follow a policy of advancements in development. For this reason specifications may be changed without notice.

### PARTS LIST

★ New parts  
Parts without **Parts No.** are not supplied.  
Les articles non mentionnes dans le **Parts No.** ne sont pas fournis.  
Teile ohne **Parts No.** werden nicht geliefert.

Ref No.	New Parts	Parts No.	Description
①		B06-0273-08	FRAME
		E30-1457-08	SPEAKER CORD
②		F09-0841-08	SCREEN
		N99-0218-08	SCREW SET
③	★	T15-0106-08	SPEAKER